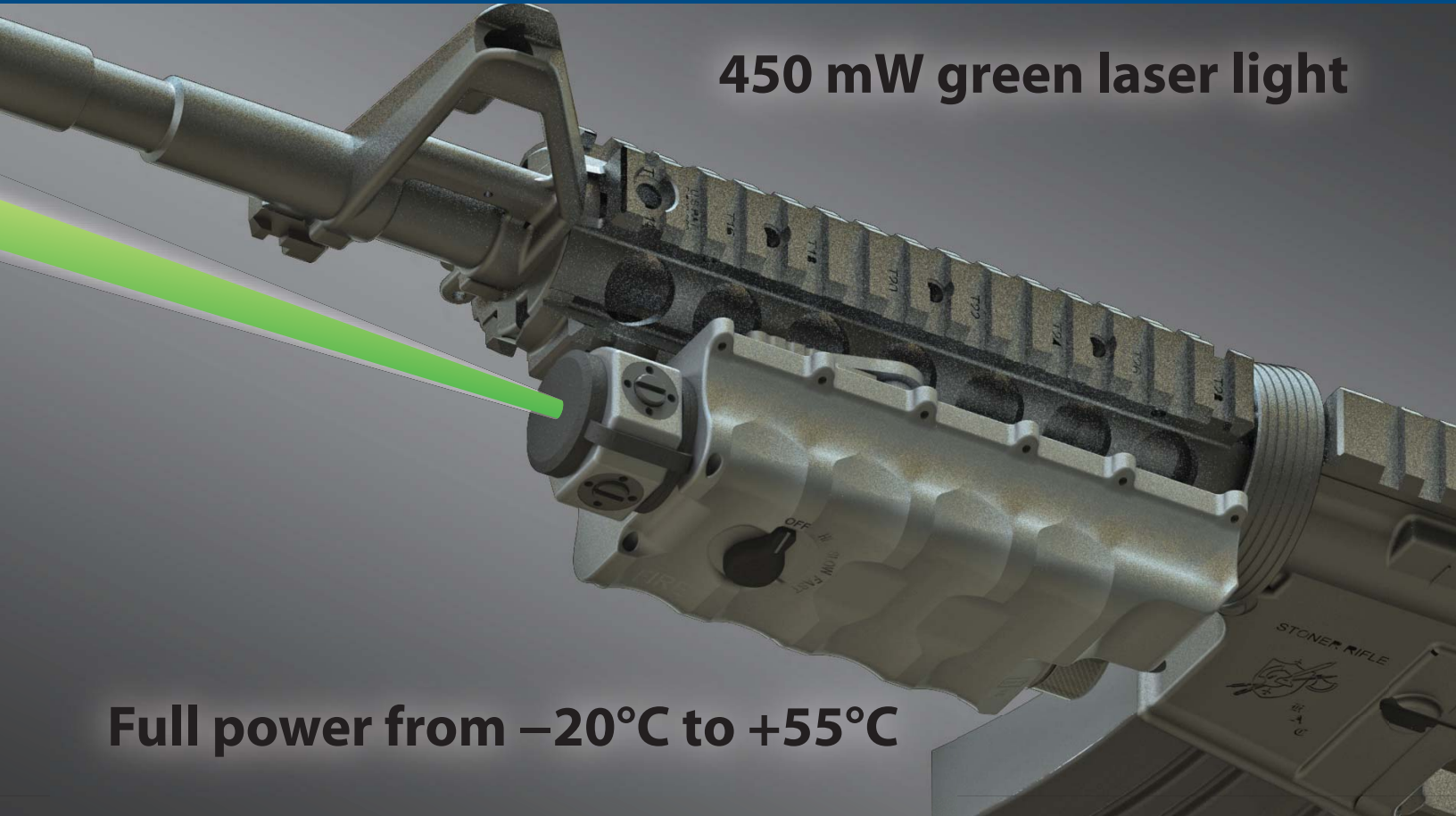


ALFALIGHT™

NLOD

Non-Lethal Ocular Disruptor



450 mW green laser light

Full power from -20°C to $+55^{\circ}\text{C}$

**Visually disorients targets
from 40-500 m**

Hailing and warning to >1 km

Eye safe to 40 m (NOHD)

**Predictable effect over full
temperature range**

⊕ *Vehicle checkpoints*

⊕ *Convoy security*

⊕ *Suppression*

⊕ *Targeting*

⊕ *Distance hailing / warning*

⊕ *Crowd control*



Made in
the USA

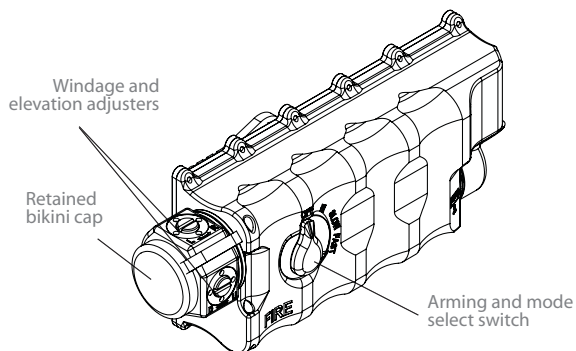
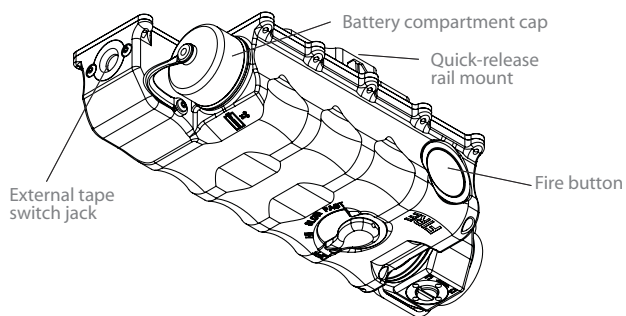
Reliability.

Performance.

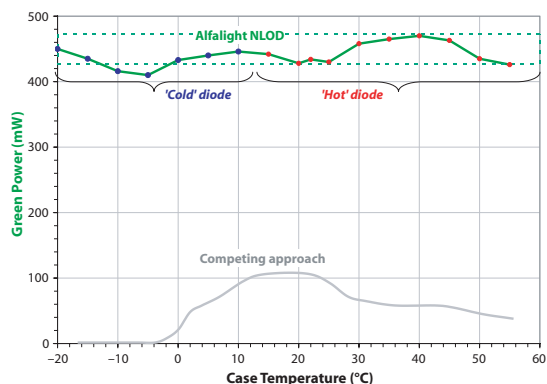
Innovation.

KEY FEATURES

- 450 mW of stable optical power
- Operating range of -20°C to $+55^{\circ}\text{C}$
- Long battery life
- Rugged, sealed package
- Built to meet MIL-STD-810G



THERMAL PERFORMANCE (TYPICAL)



Key specifications

Power	450 mW (nominal)
Power stability	$\pm 10\%$ all-inclusive conditions
Wavelength	532 nm
Operating temp	-20 to $+55^{\circ}\text{C}$ (-5 to 130°F)
Operating mode	CW (continuous-on) or pulsed (nominal 6 Hz [1]) Mode is user-switchable
Size	166 × 64 × 40 mm (6.5 × 2.5 × 1.6 in)
Weight	400 g (14 oz) including rail mount, batteries, cap, adjusters

Optical beam

Beam divergence	Integrated telescope provides 10 mrad (1/e) Factory-adjustable divergence from 0.5 mrad to 200 mrad [1]
NOHD*	40 meters [1] (10 sec exposure / 1 mW/cm ² AEL)
Beam quality	$M^2 \sim 3$
Beam diameter	~ 4 mm (at exit)
Useful range	40 to > 1000 m [1]
Safety	CDRH Class 3B device (< 500 mW) Meets ANSI Z136.1 when used as indicated
Beam steering	Fully integrated, compact windage-elevation adjusters 1 mil bore adjustment accuracy, $\pm 1^{\circ}$ adjustment range

Package

Housing	Aluminum, hard anodized, matte finish [2] Fully hermetic with O-ring seals Comfort finger swells, integrated rail clamp
Actuation	Momentary fingertip dome switch
Remote actuation	Remote tapeswitch jack Tapeswitch with plug and mount included
Safety / Mode	Secure rotary enable/disable switch with integrated high, slow pulse, fast pulse modes
Protective cap	Integrated aluminum rapid-action flip-cap
Mounting	Lever-actuated, fast-action (< 5 sec) quick-release MIL-STD-1913 Picatinny rail clamp

Power

Power Source	3 × CR123A batteries [3]
Battery life	2 hours nominal (25°C) > 1 hour extreme (-20 / $+55^{\circ}\text{C}$)
Standby life	> 1 year (Enabled / safety off) Unlimited (Disabled / safety on)
Warm-up time	None required (0 seconds)
Turn-on	Instant, no warm-up required (< 1 millisecond)

Other

Audible noise	None (0 dBA SPL @ 0 m)
Ruggedness	<ul style="list-style-type: none"> • Built to MIL-STD-810G requirements • Fully sealed / 66 feet (20 meters) immersion, salt spray • Shock: mechanical & thermal • Vibration: transport & gunfire
Lifetime	$> 20,000$ hours MTBF

*Nominal Optical Hazard Distance

[1] Parameter is factory-adjustable to custom end-user requirements

[2] Black is standard; tan or digital camo anodization customization available

[3] External DC power (9-24V) available as factory option

QS4921 v5.0

